

LED street light



INSTRUCTION MANUAL

Thank you for purchasing our products. In order to ensure a completely understand of installing and using this product, please read the instructions carefully. And keep it after reading for future reference

► Feature

1. Die-casting technology, ADC12 AL with 92% purification
2. Top brands chips, high brightness and CRI for cost saving
3. 150°/75°/150°/150°/75°/155° beam angle options , Anti-UV lens , transmittance up to 94%
4. Top brands waterproof driver IP66 , Input voltage AC100-277V

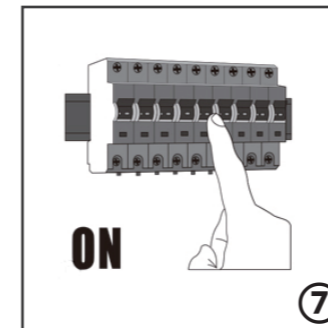
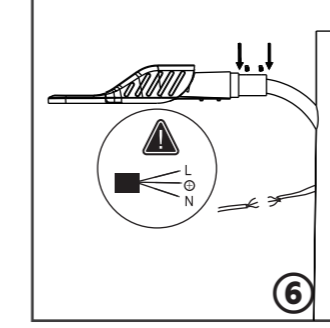
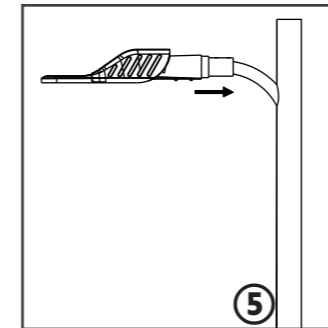
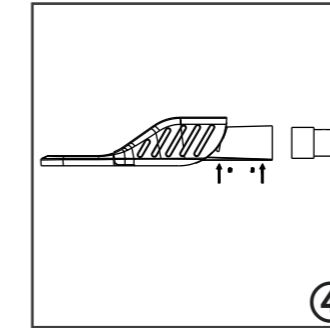
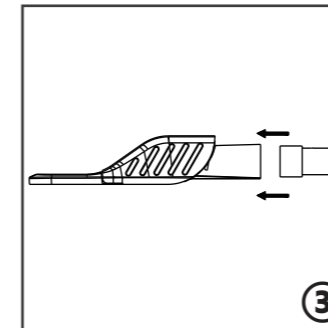
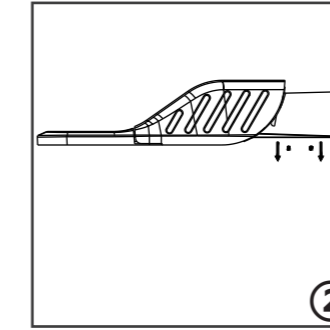
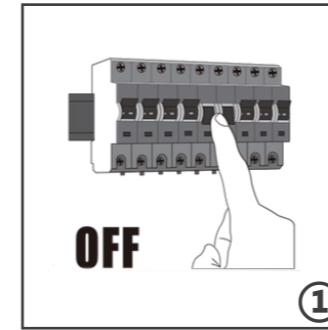
► Environment Requirement

Working Temperature: -35~+50 °C
 Storage Temperature: -35~+50 °C
 Working Humidity: 0%~85%
 Storage Humidity: 0%~90%

► Specifications

Type	LDE street light		
Wattage	60~90W	120~150W	180~210W
Luminous flux	130~140lm/W		
Beam Angle	TPI/ TPII / TPIII / TPIV / TPV		
Input Voltage	AC100-277V		
CCT	2700-6500K		
CRI	70 / 80		
Working Temperature	-35~+50 °C		
Lifespan	50000H		
IP Grade	IP 66		

► Installation instruction :



Note : The installation base must be able to support 10 times weight of the products

► Warning

1. Please install the lamp according to the installation to avoid dropping and electric shock.
2. Don't exchange the lamp as will to avoid dropping ,electric shock and damage of the lamp.
3. Working voltage is not to be exceeded AC100-277V 50/60Hz

► Attention

1. Don't install the lamp to non-stable place.
2. Installed by qualified electrician.
3. Switch off the switch box and contact certified electrician if the lamp works abnormally

Thank You

For choosing